



## GENERAL DESCRIPTION

The standard SIM connector is specifically designed for handheld devices requiring secure subscriber identification.

Following on from the introduction of our standard SIM block with an offering of 3 standard heights, 0.80mm, 1.60mm, or 2.40mm, AVX is now adding another standard to the 9162 series SIM connectors, the slide-in SIM.

Unlike SIM blocks which require SIM card guides to aid insertion, removal and retention of the SIM card, the slide-in SIM has guides as part of the connector mold design.

Contacts are stamped, gold plated, rated 0.5A, and 5000 mechanical cycles.

Our contact design is specifically rounded to avoid any possible damage during and after card insertion to the card itself, assuming normal use. The design also incorporates protection features to avoid contact damage during this operation such as contact snagging.

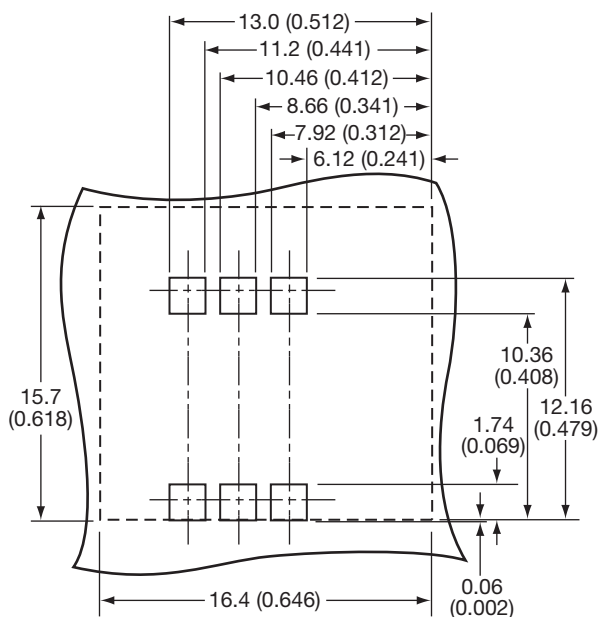
Please contact the appropriate sales office for further details of this service.

## KEY FEATURES AND BENEFITS

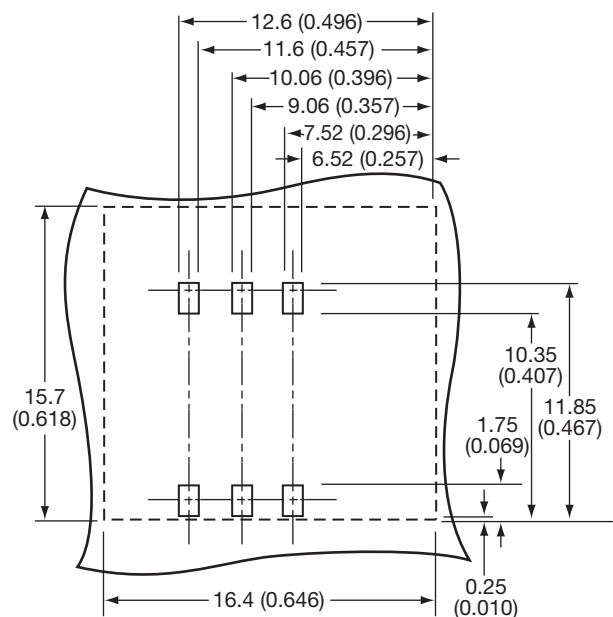
- Produced for use with micro SIM cards.
- The insulator is molded from high temperature plastic enabling the connector to be used in convection or infrared soldering processes.
- Supplied on tape and reel packaging for pick and place assembly.
- The all plastic design, assuming normal use prevents damage to the SIM card on insertion.
- Optional SMT contact size:
  - Standard SMT contact size – 1.60mm x 1.60mm
  - Narrow SMT contact size – 1.05mm x 0.60mm
- RoHS Compliant available.



### Standard SMT Contact Layout



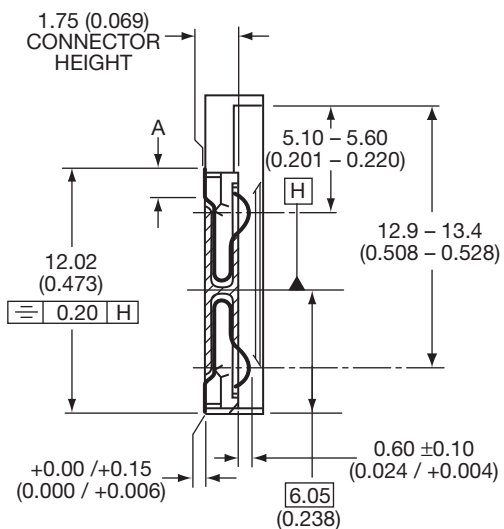
### Narrow SMT Contact Layout



# 9162 Slide-In SIM Card Connector

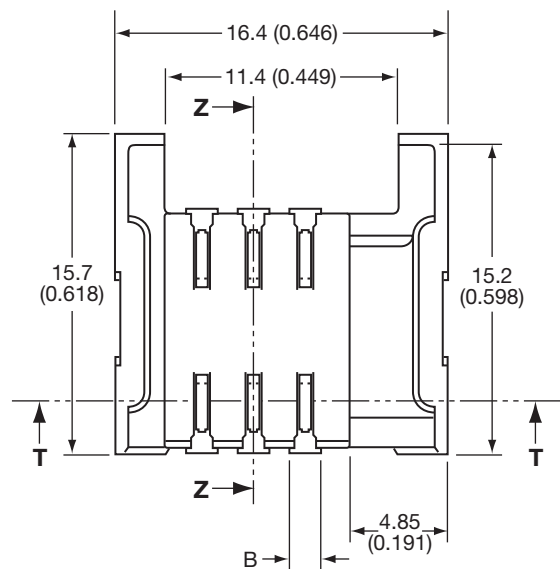


## Connector Height 1.75mm

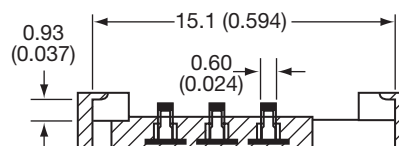


SECTION Z-Z

	Standard	Narrow
<b>A</b>	1.46 (0.057)	1.05 (0.041)
<b>B</b>	1.60 (0.063)	0.60 (0.024)



SECTION T-T



## HOW TO ORDER

**00**  
Prefix  
00 = Standard  
58 = Special

**9162**  
Series

**006**  
No. of Contacts  
006 = 6

**2X 6**  
SIM Type  
20 = Standard SMT Footprint  
21 = Narrow SMT Footprint

**XXX**  
Plating Options  
Selective Gold,  
Pure Tin Tail

**XXX**  
Connector Height  
XXX refers to  
Connector Height  
175 = 1.75mm stack height